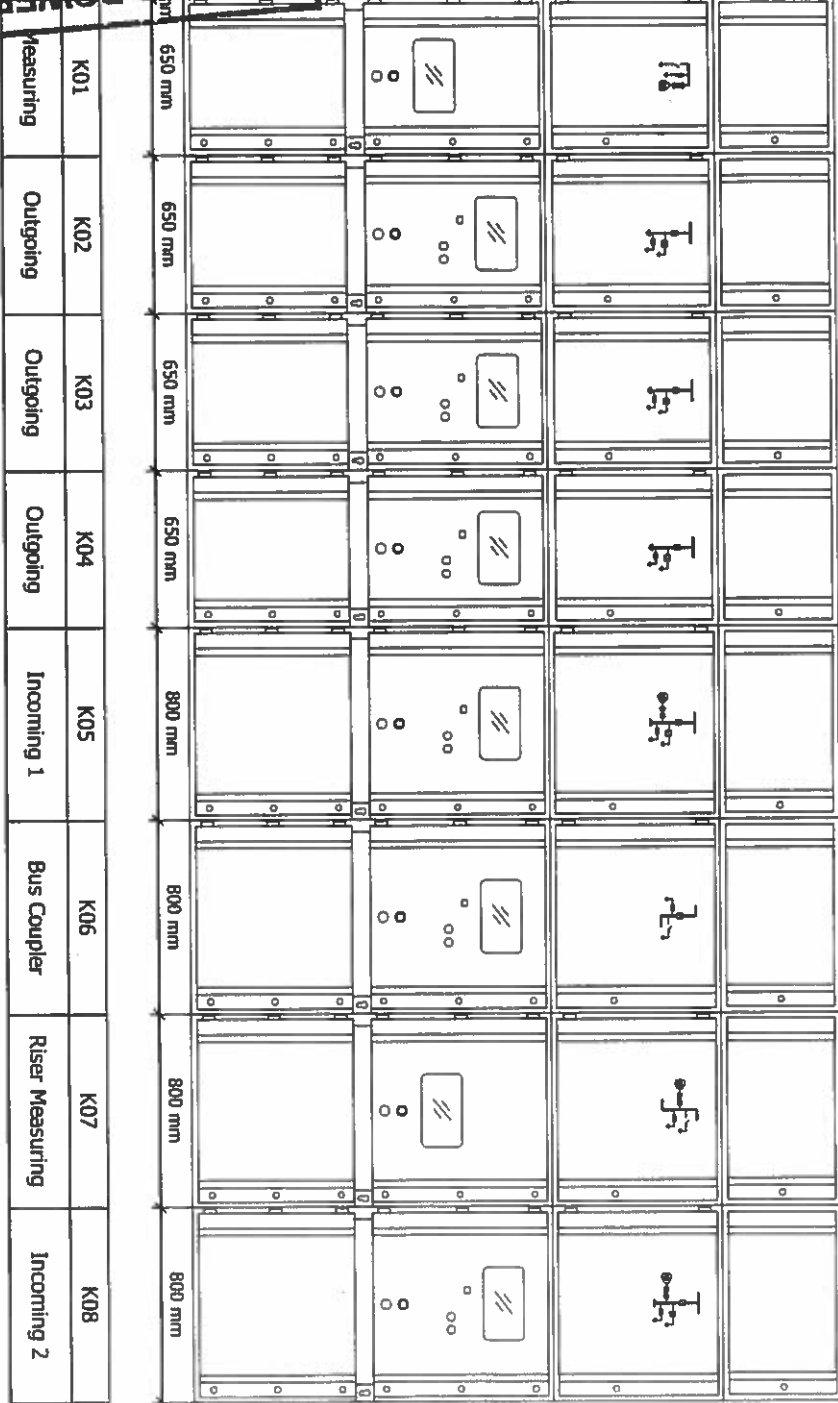


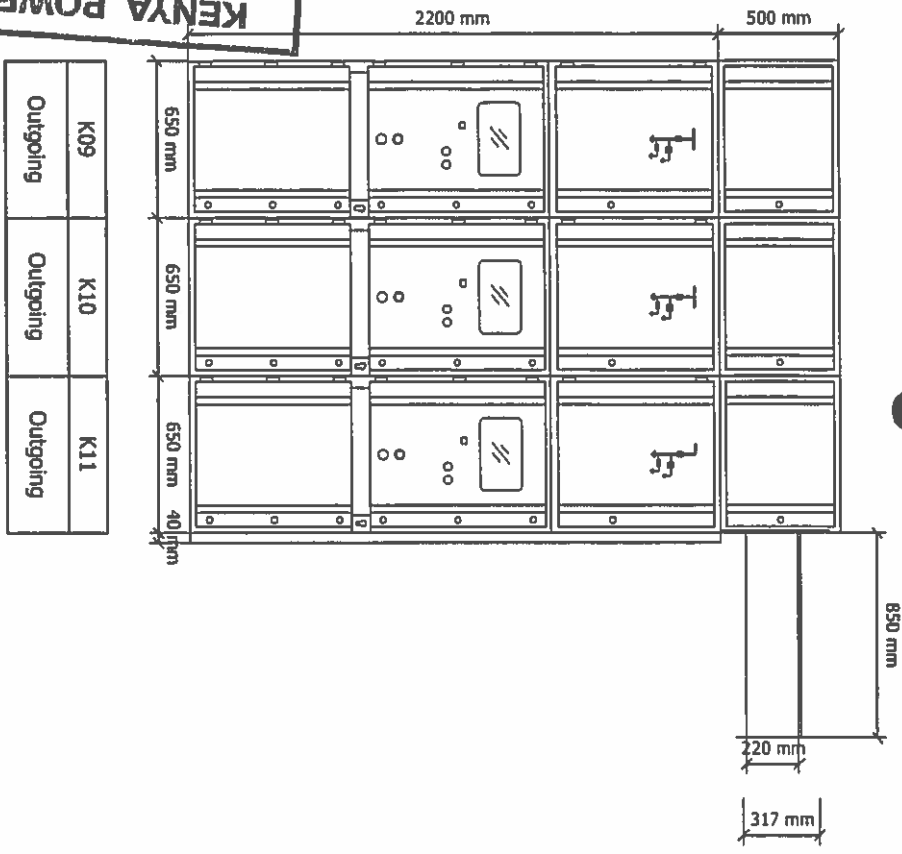
Sign:.....
APPROVED
 07 OCT 2014
KENYA POWER & LIGHTING CO. LTD.



A B C D E

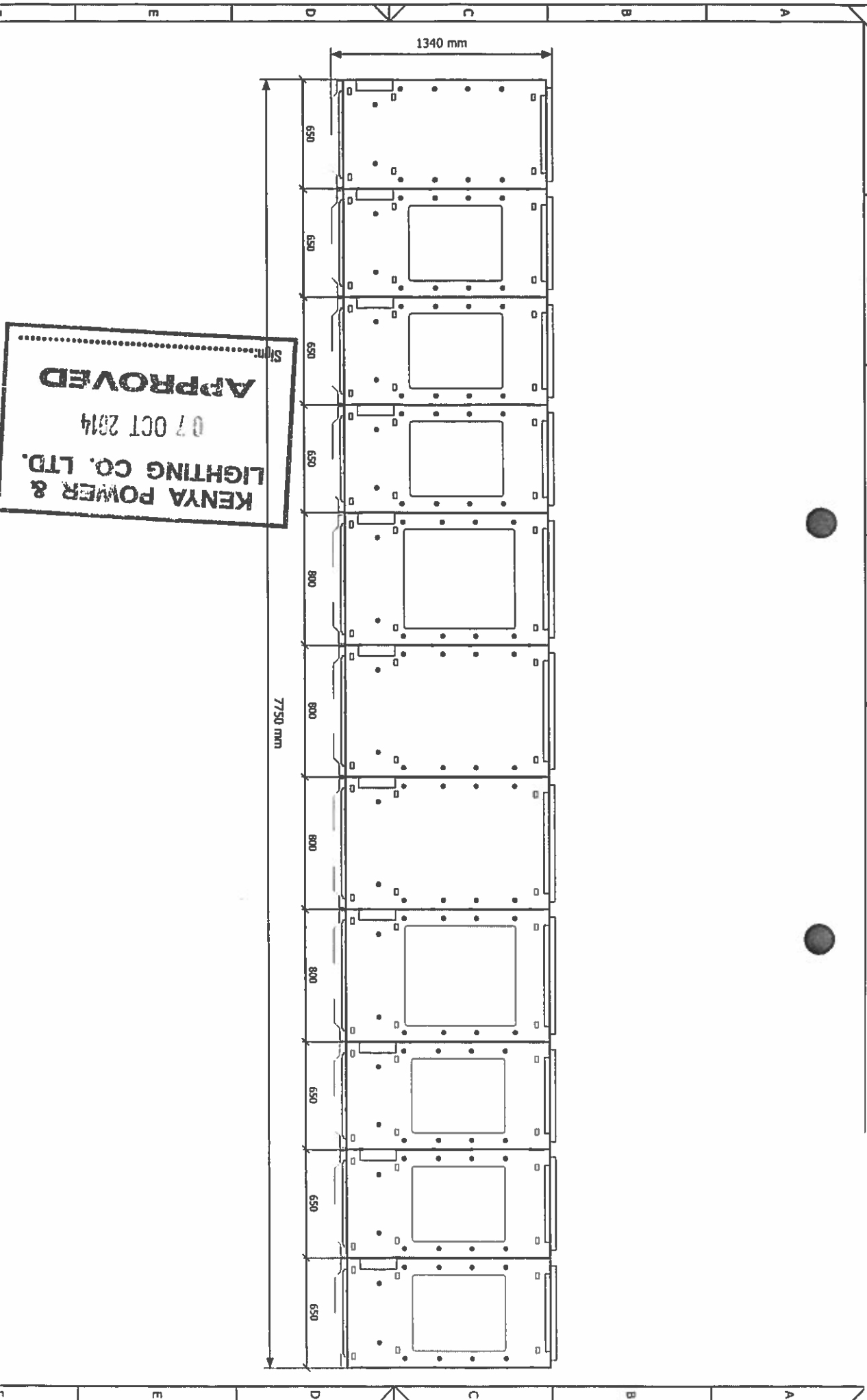
A B C D E F

Sign:.....
APPROVED
 07 OCT 2014
KENYA POWER & LIGHTING CO. LTD.



A B C D E

A B C D E



APPROVED
07 OCT 2014
KENYA POWER &
LIGHTING CO. LTD.

Sim:

7750 mm

1340 mm

650

650

650

650

800

800

800

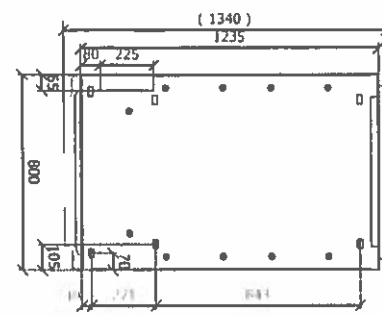
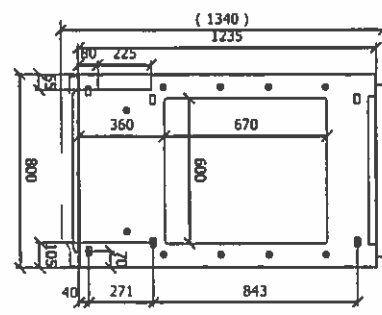
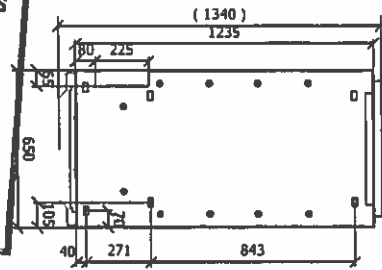
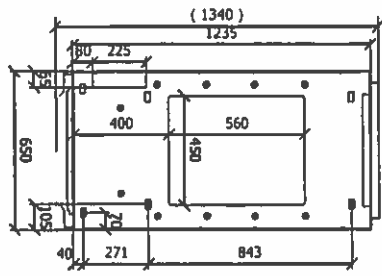
800

650

650

650

A B C D E

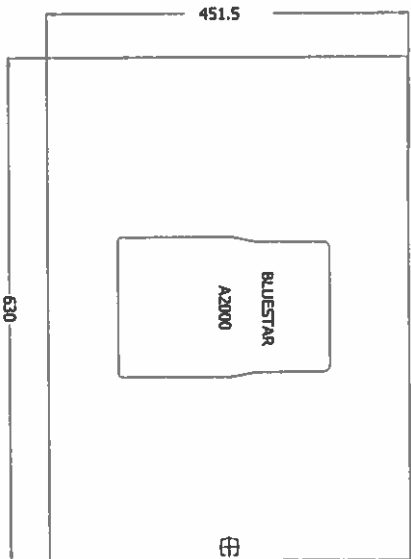
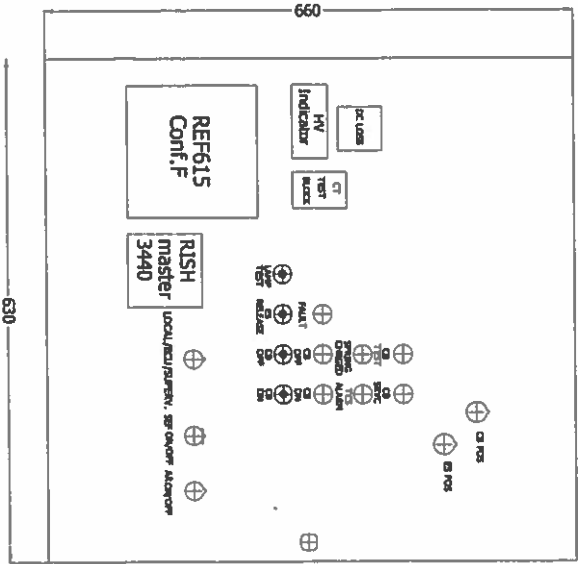


Tolerances for laying the floor frame are:
 Evenness tolerance: ± 1 mm within a measuring length of 1 m
 Straightness tolerance: 1 mm per 1 m, but not more than 3 mm over entire length of frame

Sign: **APPROVED**
 07 OCT 2014
KENYA POWER & LIGHTING CO. LTD.

F E D C B A

Outgoing



Tolerances for laying the floor frame are:
Evenness tolerance: ± 1 mm within a measuring length of 1 m
Straightness tolerance: 1 mm per 1 m, but not more than 3 mm over

Sign:.....

KENYA POWER LIGHTING CO. LT

APPROVED

07 OCT 2014